

# INSTALLATION INSTRUCTIONS

## HUSTLER MODELS SSM-1 & SSM-2 MOUNTS

### CONVENTIONAL INSTALLATION

1. Use the cork grommet as a template and scribe the four (4) hole locations (center hole and three mounting holes).
2. Drill the 1-5/16" center hole with a hole saw.
3. Use a 9/32" drill for the three mounting holes.
4. Mount the base assembly according to the illustration.

### INSTALLATION FOR RESTRICTED AREAS:

In very restricted areas, due to cross bracing, sub-paneling, etc., advantage may be taken of the horseshoe washer.

1. Using the cork grommet as a template, locate and drill a 3/16" diameter hole for the 8-32 bolt in addition to the four holes required for a Conventional Installation.
2. Dress the illustration "C" until just the full point only protrudes from the horseshoe washer.
3. Work the horseshoe washer through the 1-5/16 hole and retain the assembly in place on the inside of the vehicle panel with the 8-32 horseshoe retaining screw.
4. With the gasket next to the ball mount, hold the mount close to its mounting location and attach the center lead to the ball connection.
5. Dress the excess cable back into the vehicle avoiding any short circuit or sharp bends and position the mount over the correct holes for inserting and tightening the 1-3/8" mounting bolts.

**WARNING:** If you remove upper and lower ball half the internal space will only fit one way. Counter sinkhole must be toward lower ball half. Failure to install correctly will cause threads to strip or lockup

### Newtronics Limited Warranty

Newtronics Antenna Corp. warrants its products to be free of defects in material and workmanship and extends this warranty under intended use and normal service conditions to the original owner for a period of one year from the date of purchase.

This warranty does not apply to any product that has been repaired or altered in any manner and is void for any damage due to accident, neglect, unreasonable use, improper installation or any other cause not arising out of the defects in material or workmanship.

The obligations of Newtronics Antenna Corp. are limited to repairing or replacing, at its option, any product or part that is returned to the factory all transportation charges prepaid, accompanied by proof of purchase and which examination reveals to have been defective within the warranty period stated above.

Newtronics Antenna Corp. does not assume, nor is any person authorized to assume for it, any obligation other than that herein stated. Any implied warranties, including but not limited to fitness for a particular purpose, are limited in duration for the above one-year period. Newtronics Antenna Corp. shall not be liable under this warranty, or any implied warranty, for loss of use of the product or for other consequential loss of damage incurred by the purchaser. Some states do not allow the exclusion of limitation of implied warranties of consequential damages and so the above exclusions of limitations may not apply. This warranty gives you special legal rights and you may have other rights that vary from state to state.

SSM-1  
SSM-2

KIT NO. 5581  
5580 Rev. 10/05

3/8-24 THREAD IN CAP

SPRING

CONVENTIONAL  
INSTALLATION

1/4" HEX ALLEN HEAD  
BOLT

1-3/8" LONG MOUNTING  
BOLT (3)

WASHER (3)

VEHICLE PANEL

#8 LOCKWAHER

8-32 NUT

8-32 GROUNDING  
SET SCREW

WASHER  
LOCKWASHER

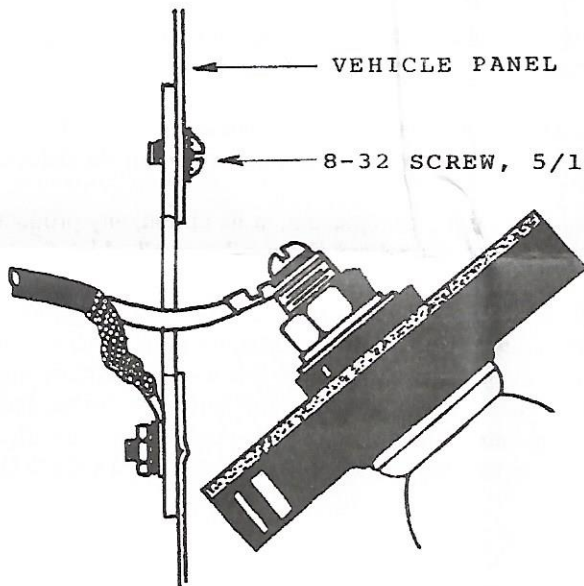
NUT

SCREW & LOCKWASHER FOR  
CABLE CENTER CONDUCTOR

8-32 SCREW, 3/16" LONG  
ATTACH BRAID OF COAX  
CABLE HERE



Illustration "C"



VEHICLE PANEL

8-32 SCREW, 5/16" LONG AND LOCKWASHER

FOR INSTALLATIONS  
WHERE AREAS BEHIND  
VEHICLE PANEL ARE  
RESTRICTED OR CON-  
GESTED.

